



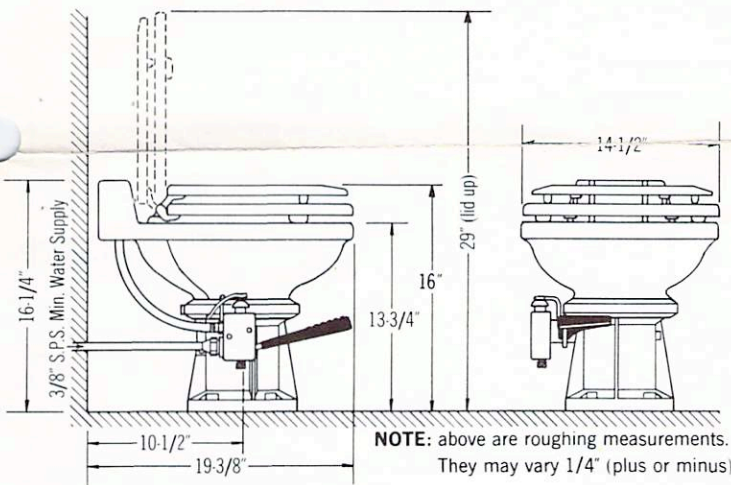
Mansfield[®]

Traveler 910

mirror china

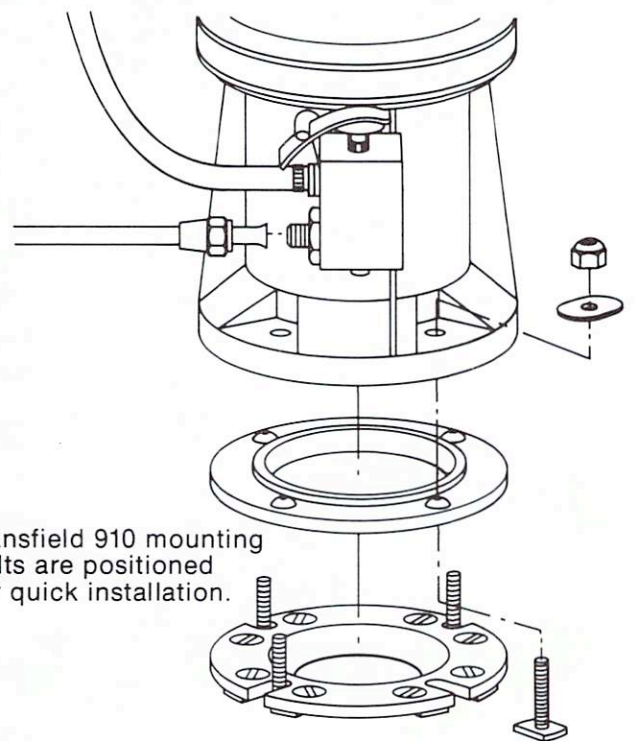
RV Toilet

- A "watersaver" toilet for new or replacement installation in trailers, motor homes and truck-mounted campers.
- Flushes on less than a quart of clean water.
- Features Mansfield's exclusive Teflon* "ball" seal.
- Easy-to-clean mirror china bowl is highly resistant to scratches and stains – won't discolor.
- Available in White or Royal Gold.
- Packaged complete with floor bolt package and floor seal...designed with mounting bolts positioned for quick accessibility and easy installation.



Use these specifications to order:

| Order No. | Description | Approx. Weight |
|-----------|---|----------------|
| 910 | Traveler mirror china bowl with corrosion-proof base. Rubber floor seal and bolt package included. (State color desired.) | 28 lbs. |
| 10JR | Toilet Seat and cover assembly. (State color desired.) | 8 lbs. |



Mansfield 910 mounting bolts are positioned for quick installation.



* Teflon is the Registered Trademark of DuPont Co.



Mansfield[®]

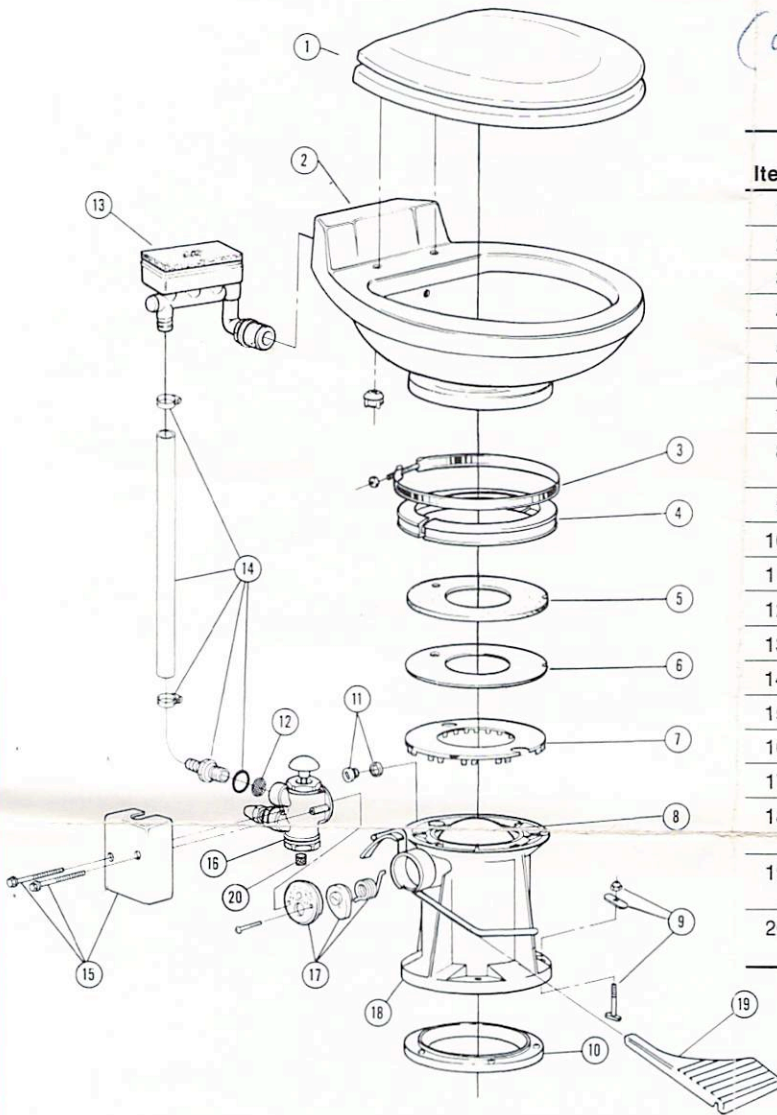
PLUMBING PRODUCTS

toilet

Mansfield® Traveler 910

New Toilet Base Deal 1-12-95 It screws into holding tank right at the floor. (Do not drill) will damage tank

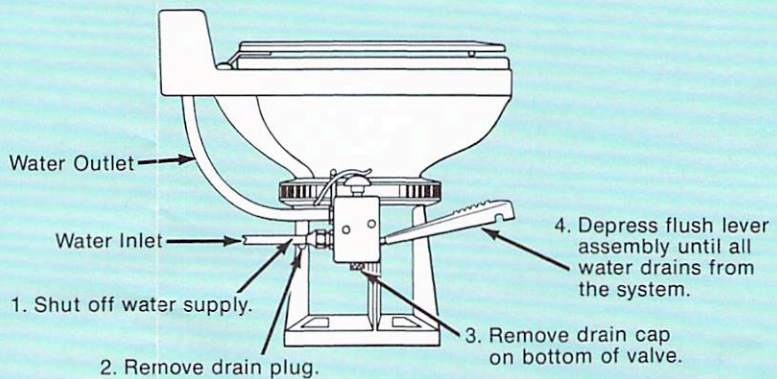
Components and Parts List



| Item | Part No. | Description | No. Req'd. |
|------|----------|---|------------|
| 1 | 10 JR | Toilet Seat Assembly | 1 |
| 2 | 186-5422 | Mirror China Bowl | 1 |
| 3 | 267-3811 | Clamp Ring | 1 |
| 4 | 708-3793 | Half Clamp | 2 |
| 5 | 741-5505 | Rubber Seal | 1 |
| 6 | 741-3732 | Teflon Ball Seal | 1 |
| 7 | 654-6405 | Seal Support | 1 |
| 8 | 129-2537 | Plastic Half Ball (included with Base assembly) | 1 |
| 9 | 630-5057 | Floor Bolt Package | 1 |
| 10 | 741-3892 | Base Seal | 1 |
| 11 | 657-3738 | Drain Plug | 1 |
| 12 | 732-5734 | Filter Screen | 1 |
| 13 | 123-5504 | Vacuum Breaker Assembly | 1 |
| 14 | 531-5902 | Universal Tubing Kit | 1 |
| 15 | 312-3964 | Valve Cover With Screws | 1 |
| 16 | 123-4349 | Water Valve | 1 |
| 17 | 123-6096 | Replacement Spring Cartridge | 1 |
| 18 | 123-5061 | Base Assembly (includes Half Ball Lever and valve) | 1 |
| 19 | 312-5126 | Plastic Cover Foot Pedal (included with Base Assembly) | 1 |
| 20 | 123-4346 | Drain Cap Assembly (included with Water Valve Assembly) | 1 |

Winterizing the Mansfield Traveler 910

To drain water from the system:



Mansfield®

PLUMBING PRODUCTS

MANSFIELD SANITARY, INC. / BIG PRAIRIE, OHIO 44611 / PHONE (216) 496-2301

INTERPACE
CORPORATION
A SUBSIDIARY OF