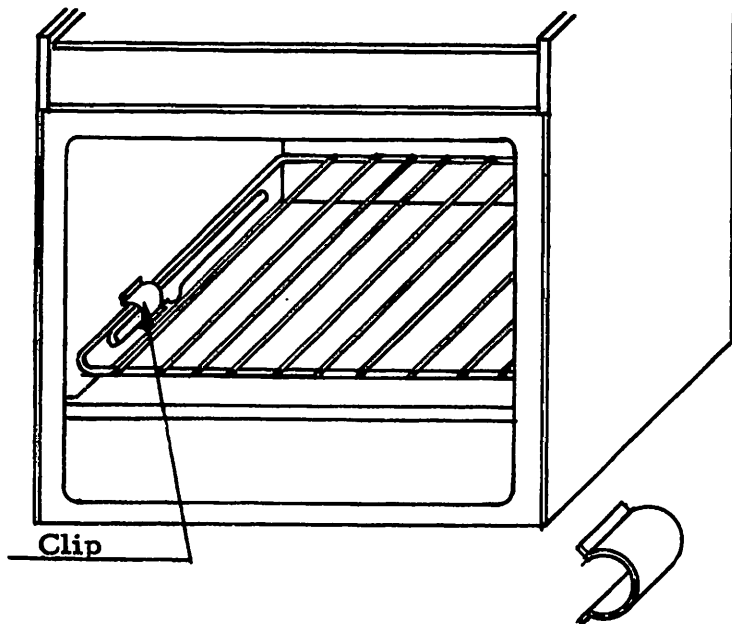


MAGIC CHEF CLIPS

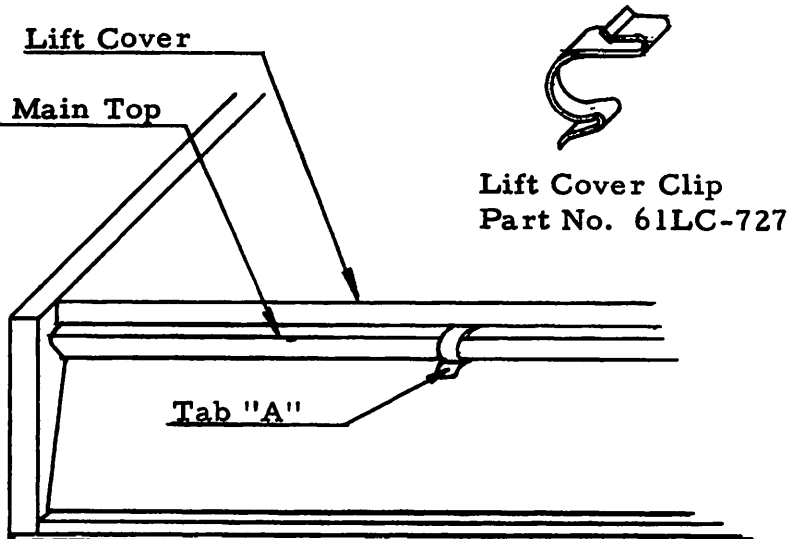
OVEN RACK CLIPS



Oven Rack Clip
Part No. 61-OR-727

1. Place oven rack in position & push to rear of range.
2. Install clips by hooking on top of oven rack & pushing down & to the side of the oven. Rack will remain loose until clip is installed on opposite side.
3. To remove these clips reverse the above procedure.

LIFT COVER CLIP



Note: This clip is shipped taped to the underside of the lift cover.

1. Raise lift cover & hook clip on bottom of front flange.
2. Place forefinger under tab "A" & pull the clip out to clear the main top as the cover is lowered.
3. Push clip forward until it locks under the front flange of the main top.
4. To remove this clip reverse the above procedure.