

## Ten Year Water Heater Warranty

THE EFFECTIVE DATE OF THIS WARRANTY WILL BE THE POSTMARK DATE ON THE RETURNED WARRANTY CARD, BUT IN NO CIRCUMSTANCES WILL THE WARRANTY BEGIN LATER THAN 180 DAYS AFTER DATE OF MANUFACTURE.

Atwood Vacuum Machine Company warrants to the original owner this BOWEN Water Heater to be free from defects in workmanship and material under normal conditions of domestic use and service.

1. Atwood will, for the first 90 days of this warranty, replace without charge, defective parts or complete heaters at any authorized service station. Owner is subject to service call charges when performed at other than service station location.

2. Atwood will, for the next 270 days (9 months), replace defective parts or complete heaters, in accordance with Paragraph 4.

3. Atwood will, for a period of two years from date of warranty, furnish a complete heater of a prevailing comparable model, if failure is due to leak in original inner tank. (An excessive deposit of foreign matter in the water does not in itself constitute tank failure within the scope of this contract.) If leak should occur during the period of the third to tenth year, inclusive, from effective warranty date, we will furnish a new heater of the prevailing comparable model at a percentage of the Company's established retail price, at date of replacement, according to the following schedule:

Within 3rd year, 50%	Within 7th year, 70%
Within 4th year, 50%	Within 8th year, 75%
Within 5th year, 50%	Within 9th year, 80%
Within 6th year, 60%	Within 10th year, 85%

A replacement heater provided under the terms of this paragraph will carry only the unexpired portion of the original heater's warranty. (See Paragraph 4 below).

4. Heater or replacement parts will be shipped F.O.B. our plant at Rockford, Illinois, and the original owner will be liable for shipping, delivery, and labor charges for removal and installation. Any heater or parts being replaced will become the property of the Company and must be returned to the Company's plant with transportation paid by the customer.

5. This warranty is VOID:

- If the heater is not equipped with approved temperature and pressure relief valve; or
- If it is installed in violation of any local plumbing or electrical code, statute, ordinance or regulation, or
- If it has been subjected to misuse, alteration, neglect (including freezing) or external damage, regardless of fault, or has been operated contrary to our printed instructions or the ratings specified on the heater data plate.

6. This contract is in lieu of all warranties, expressed or implied, and of all other obligations on our part. THERE IS NO WARRANTY OF MERCHANTABILITY, nor any other warranty not expressed herein. We neither assume nor authorize any person to assume for us any other obligations or liability in connection with the sale or use of this heater.

THE WARRANTY CARD ATTACHED MUST BE RETURNED TO THE MANUFACTURER IN ORDER THAT THIS WARRANTY MAY BE PUT INTO EFFECT.

Fill in. You will need this information should your water heater be damaged.

Date	Model	Specification	Serial
Installed _____	No. _____	No. _____	No. _____

ATWOOD  
GAS MANUAL 1968  
AVM 92522  
PRINTED IN U.S.A.



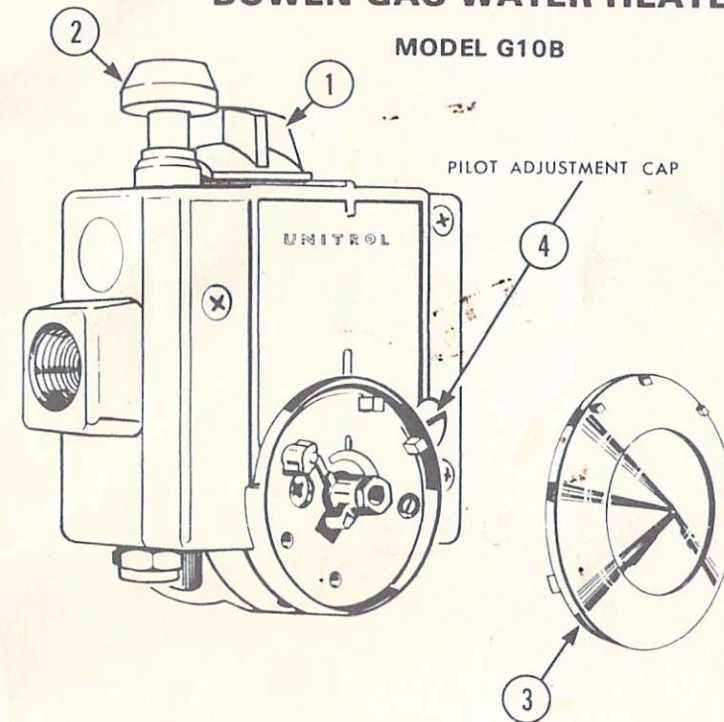
**ATWOOD VACUUM MACHINE CO.**

PHONE (AC 815) 877-5771 • TWX 910-631-3405 • 1400 EDDY AVENUE • ROCKFORD, ILLINOIS 61101

# OPERATING AND INSTALLATION MANUAL

## BOWEN GAS WATER HEATER

MODEL G10B



ROBERTSHAW-GRAYSON  
1107

### LIGHTING INSTRUCTIONS

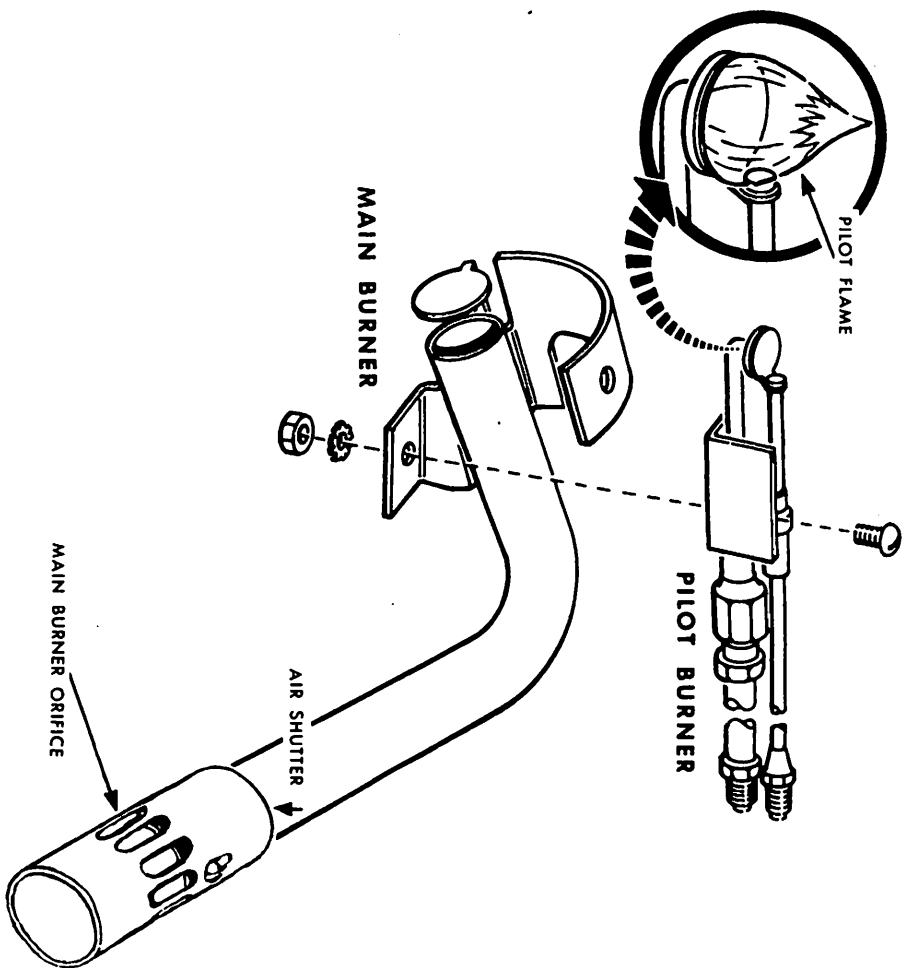
- Turn GAS COCK DIAL (1) to "OFF" Position.
- Wait sufficient length of time to allow gas which may have accumulated in burner compartment to escape (At least 5 minutes.)
- Turn GAS COCK DIAL (1) to "PILOT" Position.
- Depress and hold RESET BUTTON (2) while lighting pilot burner. Allow pilot to burn approximately one-half minute before releasing RESET BUTTON. If pilot does not remain lighted, repeat operation allowing longer period before releasing RESET BUTTON.
- Turn GAS COCK DIAL (1) to "ON" Position and turn TEMPERATURE DIAL (3) to desired position.

### PILOT BURNER ADJUSTMENT

- Remove Pilot Adjustment Cap (4).
- Adjust pilot key to provide properly sized flame.
- Replace pilot adjustment cap (4).

WHEN ORDERING THERMOSTAT REPLACEMENT  
GIVE WATER HEATER MODEL NUMBER

# MAIN BURNER & PILOT FLAME ADJUSTMENT

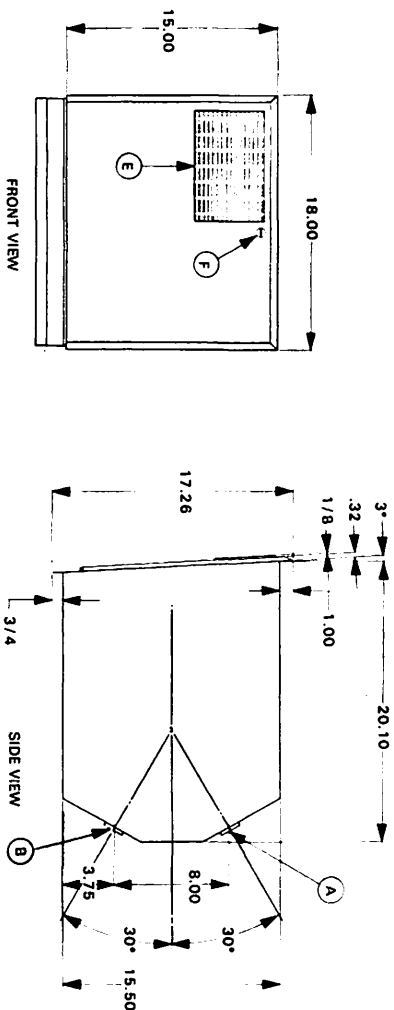


**PILOT ADJUSTMENT:** Adjust pilot flame to 1/2" high or until a slight yellow tip appears in pilot flame. Pilot adjusting key is identified on picture of thermostat. (See front page.)

**BURNER ADJUSTMENT:** Slide main burner air shutter to the right enough for yellow tip to appear in flame, then slowly slide shutter to the left until yellow tip disappears and lock with set screw.

# WATER HEATER INSTALLATION INSTRUCTIONS

MODEL G10B



- Ⓐ OUTLET (1/2" NPT Female)
- Ⓑ INLET (1/2" NPT Female)
- Ⓒ RELIEF VALVE
- Ⓓ GAS CONNECTION KNOCKOUT\*
- Ⓔ AIR INTAKE/EXHAUST VENT
- Ⓕ ACCESS PANEL LOCKING DEVICE
- Ⓖ DRAIN VALVE UP FRONT

\*Gas line entrance opening must be sealed with material capable of withstanding 120°F. To use grommet supplied, slip over gas line, remove backing paper and press adhesive firmly to clean, dry, metal surface around opening.

## BODY OPENING

MODEL	A	B	C
G10B	16-1/8"	15-9/16"	20-1/8"

**FRAMING SHOULD BE AT LEAST ONE INCH MATERIAL**

Header must be installed through exterior opening. Secure header to coach with 3/4" #8 Rd. Hd. wood screws.

