

*Hot water  
tank*

# INSTALLATION, OPERATION INSTRUCTIONS and AUTHORIZED APPLIANCE SERVICE STATIONS

**INSTALLER:** Affix these instructions adjacent to the appliance.

**CONSUMER:** Retain these instructions for future reference.



**FOR YOUR SAFETY  
AN ODORANT IS ADDED TO THE GAS USED BY  
THIS APPLIANCE. IF YOU SMELL GAS:**

1. OPEN WINDOWS
2. DON'T TOUCH ELECTRICAL SWITCHES
3. EXTINGUISH ANY OPEN FLAME
4. IMMEDIATELY CALL YOUR GAS SUPPLIER



**ATWOOD MOBILE PRODUCTS DIVISION**

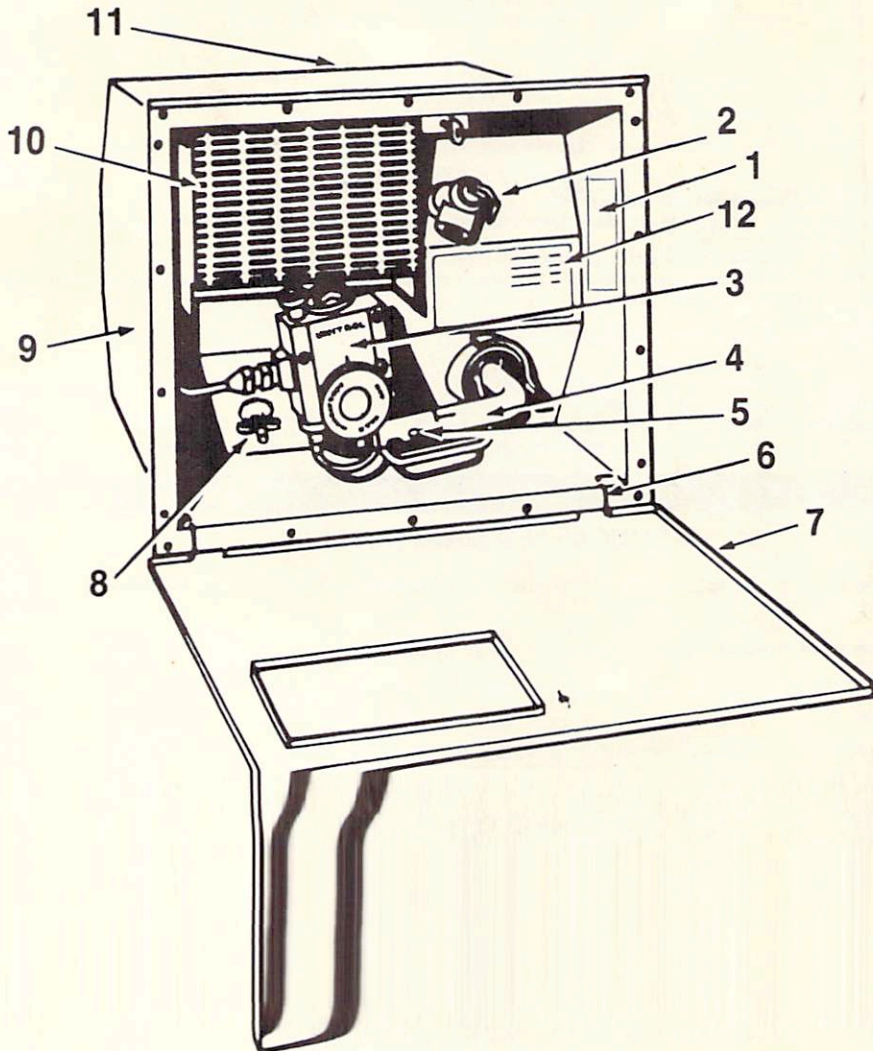
## ATWOOD WATER HEATER LIMITED WARRANTY

Atwood Mobile Products Division warrants to the owner of this Atwood water heater that Atwood will provide the repair or replacement of any part of this water heater that is defective in material or workmanship under the following conditions.

1. For a period of two years from the date of purchase, Atwood will provide the replacement of the complete water heater if the defect is found to be a leak in the inner tank. This includes reasonable labor charges required to replace the complete water heater during the first year *only*.
2. For a period of one year from the date of purchase, Atwood will provide the repair or replacement of any part that is found to be defective in material or workmanship. This includes reasonable labor charges required to remove and replace that part.
3. **IN THE EVENT OF A WARRANTY CLAIM, THE OWNER MUST CONTACT, IN ADVANCE, EITHER AN AUTHORIZED ATWOOD SERVICE STATION OR THE ATWOOD CONSUMER SERVICE DEPARTMENT. WARRANTY CLAIM SERVICE MUST BE PERFORMED AT AN AUTHORIZED ATWOOD SERVICE STATION (A LIST IS PROVIDED WITH THIS WARRANTY) OR AS APPROVED BY THE CONSUMER SERVICE DEPARTMENT, ATWOOD MOBILE PRODUCTS DIVISION, 4750 HIAWATHA DRIVE, ROCKFORD, ILLINOIS 61101, PHONE (815) 877-5771.**  
Warranty Service is normally completed within 48 hours. In any case, it will be completed within 60 days after the part(s) or complete units are available.
4. The owner is responsible for all handling, transportation, and shipping charges on warranty replacement parts (or water heater) from factory. The defective parts (or water heater) become the property of Atwood Mobile Products Division and must be returned to the Consumer Service Department, Atwood Mobile Products Division, 4750 Hiawatha Drive, Rockford, Illinois 61101. The owner bears the cost of shipping postage.
5. The warranty period on replacement parts (or water heater) is the unused portion of the original warranty period.
6. This warranty applies only if the unit is installed according to the installation instructions provided and complies with local and state codes.
7. Damage or failure resulting from misuse (including failure to seek prompt repair service), misapplication, alterations, water damage, or freezing are the owner's responsibility.
8. Atwood does not assume responsibility for any loss including loss of use of vehicle, loss of time, inconvenience, expense for gasoline, telephone, travel, lodging, loss or damage to personal property or revenues. Some states do not allow the exclusion or limitation of incidental or consequential damages, so the above limitations or exclusions may not apply to you.
9. Any implied warranties are limited to one (1) year. Some states do not allow limitations on how long an implied warranty lasts, so the above limitation may not apply to you. This warranty gives you specific legal rights and you may also have other rights which vary from state to state.

This Atwood water heater is designed for use in recreational vehicles for the purpose of heating water as stated on the "data plate" attached to the water heater.

**Atwood Mobile Products Division / 4750 Hiawatha Drive / Rockford, Illinois 61101**  
**Main Office: (815) 877-7461 / Consumer Service: (815) 877-5771**



Item	Part Number	Description
1		Rating Plate
2	92656	Relief Valve
3	92726 or 93727	Thermostat
4	Order by Spec. No.	Main Burner Orifice
4	92742	Main Burner
5	92616	Pilot Assembly
6	92568	Hinge
7	92825	Access Door
8	92698	Drain Valve
9	Order by Spec. No.	Inner Tank
10	Order by Spec. No.	Flue Box Assembly
11	91039	Housing
12		Instructions

**Not Shown**

- 91953 Direct Ignition Control
- 91944 Spark and Probe Assembly (DIS)
- 92511 Burner Assembly (DIS)
- 91923 Valve Assembly (DIS)
- 91952 Fixed Thermostat (DIS)
- 91951 High Temperature Limit Control (DIS)

Note: Always include data from specification Plate

Midway 1411 S. Arroyo  
1174-74-7  
**Arroyo Grande (93420)**  
The Trailer 1230 Gran Ave.  
P.O. Box 4 805-489-6  
**Bakersfield (93301)**  
Pennsinge 1770 Gold  
805-325-1  
**Beaumont (92223)**  
Streamlin 910 W. Hwy  
714-845-5  
**Campbell (5008)**  
Bonanza 2606 S. W  
408-374-4  
**Canyon Country (91351)**  
Canyon Co 18436 Sie  
805-252-6  
**Chatsworth (91311)**  
J & D R V 9505 De  
213-998-0  
**Chula Vista (92010)**  
Chula Vist 679 Broad  
714-420-2  
**Concord (4520)**  
HarmsCar 1134 Lan  
415-689-7  
**El Cajon (2021)**  
Ralphs Tr 1025 East  
714-442-4  
**Escondido (92025)**  
Homer H 400 W. Gr  
714-745-3  
**Fresno (9721)**  
Frank J. S 3000 E. T  
209-237-6  
**Glendale (91209)**  
Lodgemo 768 W. Ca  
213-242-2  
**Grass Valley (95945)**  
Myers M 337 Idaho  
714-273-5  
**Harbor City (90710)**  
A-1 Coast 1327 Pac i  
213-325-2  
**Hemet (91343)**  
Bob's Tra 44216 E  
714-927-2  
**Huntington Beach (92646)**  
Huntingt 16242 Be  
714-556-5  
**Ingelwood (90304)**  
Johnny D 10030 Ha  
213-678-9  
**Indio (92011)**  
Harry Sm 84165 Hw  
714-347-9  
**Irwindale (91706)**  
Benlo Co 15633 Ar  
713-337-2  
**Lemon Grove (92045)**  
Camperla 6828 Fed  
714-582-4  
**Livermore (94550)**  
Graham's 1039 Port  
415-447-8  
**Manteca (95336)**  
Manteca 9862 E. H  
209-239-9  
**Modesto (95350)**  
B & B Ser 1533 Le  
209-529-9  
**Coachella Valley (92264)**  
4416 Mc I 209-523-2  
**Mount View (90400)**  
Allied Tra 1128 El.  
415-967-8

1700 Royal Dr  
826 Broadway  
707-642-2212  
**Victorville (92392)**  
Jack's Mobile Home Service  
16771 D St.  
714-245-2638  
**Watsonville (95076)**  
A & H Trailer Service  
1442 Freedom Blvd.  
408-772-4740  
**Woodland (95695)**  
Trailer Itz Service  
1480 E. Main St.  
916-662-9365  
**Scott's Valley (95066)**  
Travel Trails  
5015 Scotts Valley Drive  
**Whittier (90602)**  
Gene's Campers & Trailers  
8738 S. Painter  
213-693-2643  
**CANADA**  
**Brampton**  
Go Camping Ltd.  
R.R. #4 Highway #7  
674-0031 or 889-8844  
**Calgary Alberta**  
Tedco  
3615 9th South  
403-243-8891  
**Halifax Nova Scotia (B3M 2L6)**  
Wanderlust Trailer Sales Limited  
615 Bedford Highway  
902-935-9726 or 835-5376  
**Victoria British Columbia (V8Y1T8)**  
Fennell's Trailer Suppliers Ltd.  
6459 Pat Baez Hwy

**COLORADO**  
**Colorado Springs (80907)**  
Camper Care Center  
3606 North Stone  
303-635-5052  
**Commerce City (80022)**  
Rock Mountain Sales & Service  
8250 Pontiac Street  
303-289-2833  
**Cortez (81321)**  
Cortez KOA Kampground  
East Cortez Highway 160  
303-565-9301  
**Golden (80401)**  
A-K Recreation Village  
17301 W. Colfax Ave.  
303-279-6661  
**Greeley (80631)**  
J & M Service & Supply Inc.  
300 8th Ave.  
303-353-9290  
**Uravan (81436)**  
Jake Kraus Refrigeration & Appl. Repair  
ES Emerald Drive  
303-862-7341  
**CONNECTICUT**  
**East Hartford (06108)**  
Paul's Auto Glass  
221 Governor St.  
203-528-9741 or 2 or 3  
**Rockville (06066)**  
Blonstein's Camping Center  
Route #83  
784 Talcottville Road  
203-875-6211  
**DELAWARE**  
**New Castle (19720)**  
C & A Campers Corner  
500 School Lane  
302-328-8975 or 328-8976  
**Rehoboth Beach (19971)**  
Steele's Mobile Home Service & Supply  
RD #1 Box 1424  
302-227-8208  
**FLORIDA**  
**Bradenton (33505)**  
Lloyd D. Hawley  
4300 18th St. W  
813-755-9538  
**Miles Trailer Sales Inc.**  
2801 14th Street W.  
813-746-8811  
**Cocoa (32922)**  
Cross Enterprises  
225 Clearlake Road  
305-636-0788  
**Indian River Trailer Sales**  
5855 U. S. Hwy 1  
305-636-1422  
**Fort Lauderdale (33312)**  
Palm Mobile Home & Trailer  
Supplies Inc.  
2190 State Road 84  
305-587-7990 or 587-7992

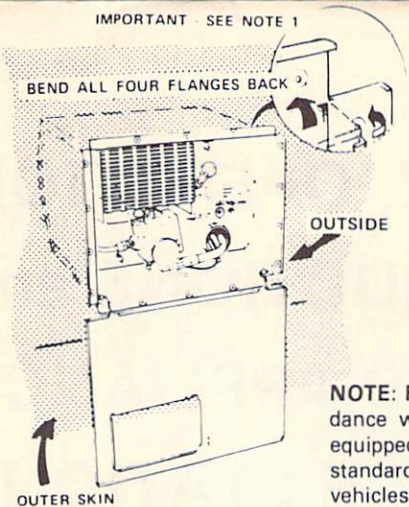
Winter Garden (32787)  
Winter Garden Travel Center Inc.  
280 W. Hwy 50  
305-656-8666  
**GEORGIA**  
**Marietta (30060)**  
Roquemore's Mobile Home Service  
150 Clay Drive  
404-427-1328  
**Savannah (31406)**  
Yumans Rec. Trailer Sales  
6709 Waters Ave  
912-354-1281 or 354-0271  
**Warner Robbins (31093)**  
Howards Mobile Home  
Route #1 Box 703  
912-923-3764  
**HAWAII**  
**Honolulu (96813)**  
Base Camp Inc.  
1336 Dillingham Blvd. Rm. 12  
808-847-4467  
**IDAHO**  
**Boise (83703)**  
Plantation Trailer Supply  
6715 W. State St.  
208-344-5551  
**Kamiah (83536)**  
Blue Flame Gas Co.  
Kamiah  
209-935-2711  
**Halifax Nova Scotia (B3M 2L6)**  
Drum's Camper Trailer Sales & Service  
Route 5 (on Karcher near Jct. Hwy 30)  
Box 5043  
208-446-4232  
**COLORADO**  
**Travel Porter Inc.**  
Route 5 Box 5188  
208-467-2138  
**Pocatiello (83201)**  
Handy Service  
4929 Yellowstone Ave.  
208-237-0503  
**Sandpoint (83864)**  
Sandpoint Camper & Trailer  
Hwy 95 South  
208-263-5330  
**Twin Falls (83301)**  
Gateway Trailer Center  
Blake & Addison West  
P.O. Box 494  
208-733-2410  
**ILLINOIS**  
**Blue Island (60406)**  
Illinois Mobile Home Supply Inc.  
300 8th Ave.  
312-388-0008  
**Bradley (60915)**  
Collins Mobile Home & Trailer Service  
178 S. Fulton  
815-933-4016  
**Carmi (62821)**  
Lindsey's Inc.  
506 East Main St.  
618-384-3891 or 382-7404  
**Chicago (60617)**  
Stony Island Recreational Vehicle  
Center Inc.  
9100 Stony Island Avenue  
312-221-9100  
**Crystal Lake (60014)**  
Crystal Valley Inc.  
4220 N.W. Hwy 14 at 31  
815-459-6611  
**Danville (61832)**  
Kickapoo Kampers Inc.  
3722 N. Vermillion  
217-442-8131 or 442-8132  
**Elgin (60120)**  
Groh Camping Headquarters  
Routes 20 & 59  
312-741-4636  
**Harrisburg (62946)**  
Dean's Action Service  
Route 3 Box 80  
618-252-6939  
**Lombard (60148)**  
Al's Service Center  
414 W. Wilson Road  
312-627-3560  
**Martinsville (62442)**  
Wilderness Lake Camp Ground Inc.  
R.R. 2  
217-279-3396  
**Mendota (61342)**  
R. C. Service Co.  
903 Illinois Ave.  
815-538-6311 or 538-4234  
**Peoria (61604)**  
Deluxe Homes  
2800 W. Farmington Road  
309-674-6131 or 674-6132  
or 674-6133 or 674-6134

1700 Royal Dr  
606-255-0784 or 255-0785  
**LOUISIANA**  
**Lafayette (70501)**  
R.V. Sales  
3004 Cameron Rd.  
218-232-1941 or 232-1942  
**Lake Charles (70601)**  
Gulf Coast M. H. Specialists  
2301 Broad  
318-436-6724  
**MAINE**  
**Auburn**  
Giant Advance Camper Country  
765 Center Street  
207-783-2291  
**S. Portland (04106)**  
Frank's Winnebago  
175 Main St.  
207-767-2355  
**MARYLAND**  
**Cumberland (21502)**  
Western Maryland R.V. Camper  
Parts & Service  
13510 N. Weaver Ave.  
301-729-8220  
**N. Waldorf (20601)**  
Midway Supply Inc.  
Route U.S. 301 & 5  
301-645-5832 or 843-1111  
**MASSACHUSETTS**  
**Burlington (01803)**  
Donahue Trailers Sales  
88 Mountain Road  
Box 126  
617-272-9830  
**E. Brimfield (01010)**  
Quinebug Rec. Vee  
Route 20  
413-245-3332  
**Fayville (01745)**  
Williams Trailer Sales  
Box Q or 21 Turnpike Road Southboro  
617-481-4040  
**Lawrence (01843)**  
Berube Travel Trailer Sales  
333 Market St.  
617-682-3752 or 682-3757  
**Wilbraham (01095)**  
Gotta's Recreation Vehicles  
1872 Boston Road  
413-543-4810  
**MICHIGAN**  
**Davison (48423)**  
Buds Trailer Center  
66149 Lapeer Road  
313-742-0016  
**Dearborn (48126)**  
Use a Trailer Co.  
44900 W. Warren  
313-581-5020 or 381-5021 or 381-5022  
**Grand Blanc (48439)**  
Water-land Sales  
10805 S. Saginaw  
313-694-5900  
**Grand Rapids (49505)**  
L & A Service  
3844 S. Mile N.E.  
616-363-8748  
**Jackson (49201)**  
Four Seasons Sport Center  
2700 Airport Road  
517-787-8100  
**Kalamazoo (49007)**  
John M. Wiessner & Son  
822 Cobb Ave.  
616-382-4980 or 628-4278  
**Kawawin (48631)**  
Walker Camper & Trailer  
Sales Inc.  
2381 S. Huron Road  
517-684-1050  
**Lansing (48906)**  
Dennis Trailer Sales  
5226 N. Grand River Ave.  
517-484-0932 or 484-5309  
**Mt. Clemens (48043)**  
Gonczar Trailer Sales Inc.  
49685 N. Gratiot  
313-949-9122  
**Plainwell (49080)**  
Curtis Trailer Center Inc.  
1227 West M-89  
616-585-6837 or 685-6838  
**Taylor (48140)**  
Jim's Mobile Home Service  
26027 First Street  
313-292-7090  
**MINNESOTA**  
**Burnsville (55378)**  
Donley Camping Center  
1720 W. Hwy 13  
612-890-1490

Route 50 & Hope Corson Road  
609-399-4124  
**NEW MEXICO**  
**Albuquerque (87110)**  
C. Z. Mitchell Appliance Service  
5127 Sunningdale Ave.  
505-256-9651  
**Clovis (88101)**  
4 Seasons R.V. Center Inc.  
P.O. Drawer M  
Highway 60-84 West  
Clovis  
505-763-4650 or 763-4067  
**NEW YORK**  
**Albany (12203)**  
M.P. Magley Trailer Sales  
609 Western Ave.  
518-456-3611 or 456-3612  
**Bethpage (11714)**  
Lorcon Campers Inc.  
4080 Hempstead Tpk.  
516-735-7333  
**Copiague (11726)**  
Trailer Time Inc.  
1143 Sunrise Hwy  
516-842-3666 or 842-3667  
**Elma (14059)**  
Trailer Land Inc.  
5960 Seneca St.  
716-675-3600  
**Hamburg (14075)**  
South Camp Auto Sale Inc.  
5051 Camp Road  
716-649-4600  
**Mt. Kisco (10549)**  
Holiday on Wheels Inc.  
250 Kisco Avenue  
914-241-1224  
**Philadelphia (13673)**  
Wilson's Travel Trailer Sales Inc.  
Route 11  
315-642-3261  
**Syracuse (13209)**  
Lakeland Garage  
759 State Fair Blvd.  
315-488-4936 or 487-7401  
**Victor (14564)**  
Ballantyne Trailer City Inc.  
7447 Route 96 on Victor  
716-924-2077 or 924-3264  
**White Plains (10604)**  
Bluelite-Gas Burner Service  
Old Orchard Street  
914-948-7980  
**Whitney Point (13862)**  
Jim Broven Trailer Service  
Kales Hill  
607-692-3413  
**NORTH CAROLINA**  
**Fayetteville (28301)**  
Allstate Mobile Home Service Inc.  
1116 Charmain Street  
919-488-7205 or 488-0206  
**Roanoke Rapids (27807)**  
Brewer Trailer Service  
317 Franklin St.  
919-537-4274  
**NORTH DAKOTA**  
**Bismarck (58501)**  
Martin's Mobile Home & Camper Service  
2406 Thayer Avenue East  
223-9457  
**OHIO**  
**Canal Fulton (44614)**  
Avalon Travel Center  
11761 Portage Road N.W.  
854-2222 or 854-2223 or  
494-4446 or 882-5300  
**Canton (44707)**  
Reed Mobile Home Parts & Serv.  
200 53rd St. S.E.  
216-484-1727  
**Cincinnati (45246)**  
Murphy Travel Trailers of Ohio Inc.  
11526 Chester Road  
513-771-5771  
**Columbus (43229)**  
Post Industries Inc.  
4330 Westerville Road  
471-0550  
**Dayton (45414)**  
Jim's Mobile Supply  
2700 Needmore Road  
513-278-5887 or 274-2106  
**McMahan's Bottled Gas Co.**  
3324 Valley St.  
513-233-0831  
**Findlay (45840)**  
Coachmen Camping Center  
410 E. Sandusky St.  
423-1912

3776 Wall Ave.  
P.O. Box 1503  
801-394-3405  
**Salt Lake City (84115)**  
Tagges Motor Trailer & Coach Service  
1380 South 400 West  
801-486-2341  
**VERMONT**  
**Rutland (05701)**  
Leisure Lines  
Woodstock Ave.  
802-775-0854  
**VIRGINIA**  
**Richmond (23230)**  
McGeorge Camping Center  
6200 W. Broad St.  
804-285-9988  
**WASHINGTON**  
**Colville (99114)**  
Fogle Motor Company Inc.  
840 S. Main  
509-684-4501  
**Kirkland (98033)**  
Devon Lee Corporation  
11527 Kirkland Way  
206-822-2211  
**Montlake Terrace (98043)**  
John Johnson Service  
22504 66 West  
206-778-8787  
**Moses Lake (98837)**  
Moses Lake Trailer Repair & Sales  
1832 West Broadway  
509-765-6921  
**Pasco (99301)**  
Lewis Street Trailer Sales  
1724 West Lewis  
509-547-8447  
**Seattle (98133)**  
Tedco Trailer Equipment Dist. Inc.  
14561 Aurora Avenue North  
206-824-1020  
**Spokane (99206)**  
Winnebago Motor Haven Inc.  
6711 East Sprague  
509-535-0112  
Solar Gas Co. (99210)  
411 Navana  
509-534-1581  
**Tacoma (98409)**  
Baydos's Trailer Sales  
7230 S. Tacoma Way  
206-475-1411  
Tveten Motor Company (93408)  
4340 Pacific Ave.  
206-472-1600  
**Walla Walla (99326)**  
All Gas Service & Appliance  
204 Avery St.  
509-525-8122  
**Yakima (98903)**  
Burd & Burd  
1830 South First St.  
509-457-8120  
**WEST VIRGINIA**  
**Charleston (25304)**  
Mountain State Utility Bldgs. Inc.  
6300 MacCorkle Ave. S.E.  
304-925-4777  
**WISCONSIN**  
**Beaver Dam (53916)**  
Bob's Camper Sales & Service  
1241 Madison Street  
414-887-7770  
**Grafton (53204)**  
Countryside Campers Inc.  
1590 N. Port Washington Road  
414-377-9120  
**Green Bay (54303)**  
J & M Homes  
1360 Velp Ave.  
414-494-8222 or 494-1049  
**Madison (53716)**  
Arts Mobile Home Supply & Serv.  
1605 South Stoughton Road  
608-222-7278  
Wisconsin Mobile Homes  
4201 East Washington Ave.  
608-244-6228 or 244-6220  
**Racine (53406)**  
GMC Truck Inc.  
8100 Washington Ave.  
414-632-5164  
**WYOMING**  
**Rock Springs (82901)**  
Arne Oja Service  
307-362-2579





7. Attach cover.
  8. Turn on gas and check all joints for gas leaks with soap and water.
- WARNING: DO NOT USE MATCHES, CANDLES OR OTHER SOURCES OF IGNITION FOR THIS PURPOSE.**
9. Fill water heater tank and check connections for water leaks. NOTE: When draining heater, open Drain Valve, and a hot water faucet in the water system.
  10. Your Atwood water heater is now ready for operation, refer to operating instructions above.

**NOTE: For Canadian Units:** Installation must be in accordance with the following: 1. CSA standard Z240.4 gas equipped recreational vehicles and mobile housing. 2. CSA standard Z240.62 electrical requirements for recreational vehicles.

All combustion air must be supplied from the outside. Follow the installation instructions to insure this is accomplished. **NOTE: The appliance must be disconnected from the gas supply system during any pressure testing of that system.** Pipe compound used on threaded gas supply piping must be resistant to the action of LP gases.

- 3 RELIEF VALVE
  - 4 GAS CONNECTION (3/8" Flare)-G6A3 OR GAS CONNECTION KNOCKOUT\*-G10C
  - 5 AIR INTAKE/EXHAUST VENT
  - 6 ACCESS PANEL LOCKING DEVICE
  - 7 DRAIN VALVE UP FRONT\*\*
- \*Gas line entrance opening must be sealed with grommet supplied, slip over gas line, remove dry, metal surface around opening.  
\*\*When draining heater, open Drain Valve and

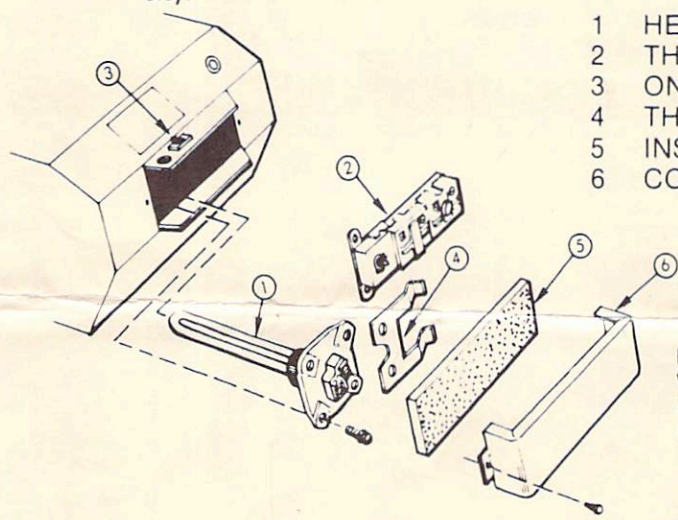
MODEL	A	B	C	D
G6A3	14-1/2	17-3/4	1-1/8	7/8
G10C	17-13/16	18-1/2	1-3/16	1-1/8
G610-3	14-1/2	17-3/4	1-1/8	7/8

MODEL	L	M		
G6A3	1/8	13/32		
G10C	1/8	3/8	—	—
G610-3	1/8	13/32		

**STEP 4:** Check for proper operation

**INSTALLATION INSTRUCTIONS FOR GC6A-3 ONLY**

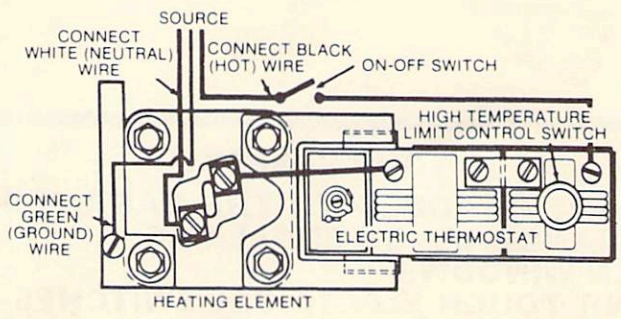
**STEP 1** Connect electric lines — GC6A-3 ONLY. This water heater is designed to operate on gas, on electricity or on a combination of gas and electricity.



**NOTE:** When ordering parts always identify by part number and include:  
1. Model Number  
2. Serial Number  
3. Specification Number  
From water heater data plate

- STEP 2** Place switch, (3) in OFF position.  
**STEP 3** Make electrical connection as shown in wiring diagram. Use three wire armored cable or conduit with capacity of 1500 Watts or greater. Unit must be properly grounded. 120 Volts Only. **NOTE:** All wiring must be in accordance with the applicable Electrical Codes.

**WIRING DIAGRAM**

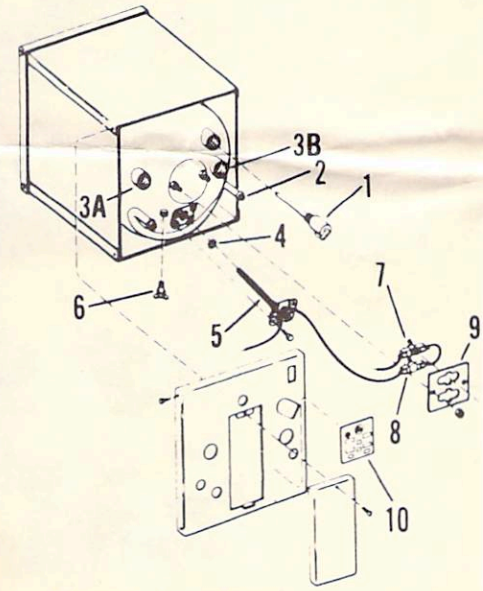


- STEP 4** Completely fill tank with water. Then turn switch (3) ON.
- CAUTION: DO NOT APPLY VOLTAGE TO HEATER UNLESS HEATING ELEMENT IS COVERED WITH WATER.**  
(Failure to do so may burn out element and void warranty.)
- STEP 5** Check for proper operation.

**WHEN ORDERING ELECTRIC THERMOSTAT REPLACEMENT GIVE WATER HEATER MODEL NUMBER AND VOLTAGE**

**INSTALLATION AND OPERATION**

**ELECTRIC THERMOSTAT MODELS — EH6**



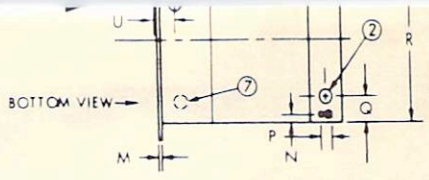
**CAUTION -** For protection against excessive pressure and temperature, this water heater is equipped with a temperature-and-pressure-protective device. This device is a temperature-and-pressure-relief valve certified by the manufacturer to meet the requirements of the ASME Code. This valve must be marked with a maximum set point. This valve must be installed in a vertical position above the water heater, and orient it or provide tubing so the discharge opening is 6 inches above, or at any distance below the water heater. The discharge opening must not be blocked or restricted.

**To Install**

1. Place heater in position and connect to cold water supply.
2. Fill the heater with water ... Open the hot water faucet to eliminate air.
3. Connect electric supply at junction box with appropriate wire size.  
**CAUTION: Connect to A.C. supply.**
4. Thermostat is set at factory and is not adjustable.
5. Turn on electric current. Your heater is now ready for operation.

**CAUTION: Do not apply current to heater until tank is filled with water. Failure to do so may burn out element and void warranty.**  
Water heater must be drained when

annular groove and release.



material capable of withstanding 120° F. To use  
 cking paper and press adhesive firmly to clean,

hot water faucet in the water system.

E	F	G	H	J	K
1/8	2-5/16	2-7/8	6-3/4	12-1/2	30°
1/16	—	3-3/4	8	15-1/2	30°
—	—	—	—	—	—
1/8	2-5/16	2-7/8	6-3/4	12-1/2	30°

Q	R	S	T	U	V
5/8	16	—	—	—	—
1/2	16	5-1/4	4	2	3
—	—	—	—	—	—
5/8	16	—	—	—	—

## OPERATING INSTRUCTIONS

### HEATER HEATERS 6 — EH6G — E6G



1. Relief Valve
2. Heat Exchanger
- 3A. Water Connection Hot
- 3B. Water Connection Cold
4. Washer
5. Heating Element\*
6. Drain Valve
7. Energy Cut Off Switch
8. Thermostat\*
9. Plate
10. Rating Plate

**NOTE:** When ordering parts always identify by part, name and include:

1. Model number
  2. Serial number
  3. Specification number
- \* When ordering Complete Element or Thermostat replacement give correct voltage and wattage.

s and temperatures in this water heater, install tem-  
 by local codes, but not less than a combination  
 tionally recognized testing laboratory that main-  
 ment or materials, as meeting the requirements for  
 or Hot Water Supply Systems, ANSI Z21.22-1971.  
 ure not to exceed the marked hydrostatic test pres-  
 suring provided and marked for this purpose in the  
 any discharge from the valve will exit only within  
 al floor and cannot contact any live electrical part.  
 in size under any circumstances.

upply and hot water outlet.  
 faucets to which the heater is connected until all

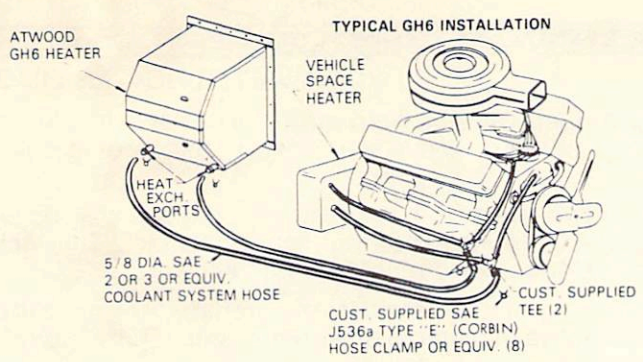
cable or conduit for proper ground.  
 y. See data plate for correct voltage.

ble.  
 operating.

ter unless heating element is covered

element.

possibility of freezing exists.

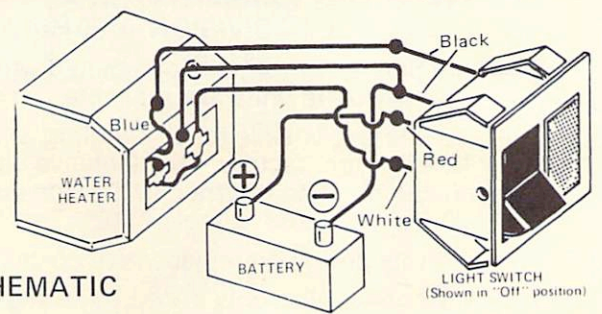


Above is a "typical" GH6 installation. For best results use a 160° thermostat in the summer and a 195° thermostat in the winter.

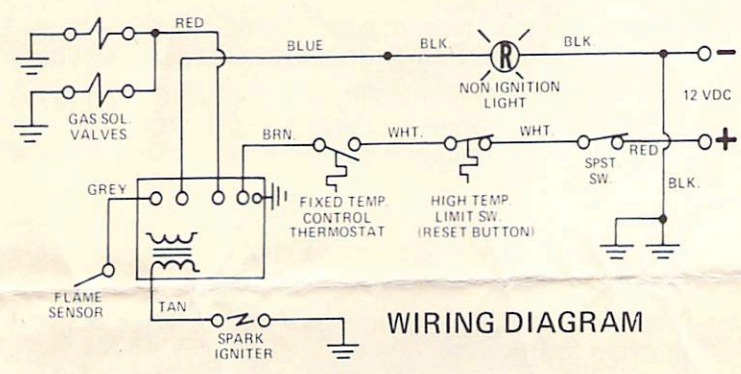
### G6A-3E & G610-3E

**CAUTION**

Make connections direct to 12V DC battery. Do not use AC to DC CONVERTOR.  
 Use a minimum of 18 GA wire.  
 Must be U.L. and CSA listed.



WIRING SCHEMATIC



WIRING DIAGRAM

- STEP 1.** Install unit as per skin mount instructions.
- STEP 2.** Make electrical connection as follows. Route wires thru elbow connector and tighten strain relief.
- a. Install a wire from the blue lead in the junction box to a black lead on the switch.
  - b. Install a wire from black switch lead to the negative battery terminal.
  - c. Install a wire from the negative battery terminal to the black lead in the junction box.
  - d. Install a wire from the white switch lead to the open terminal of the high limit switch in the junction box.
  - e. Install a wire from the red switch lead to the positive battery terminal. (Place the switch in the "off" position before making this connection — switch is "off" when button is depressed towards red lead. Switch may be installed in any convenient location. Be sure to position wall plate correctly.)
- STEP 3.** Reinstall junction box cover. Be sure that the fiber glass insulation is replaced.

#### OPERATING INSTRUCTION

1. Place switch in "on" position.
  2. If switch light comes on, place switch in "off" position and wait 5 minutes.
  3. Repeat step one.
  4. For complete shut down, place switch in "off" position.
- NOTE:** It may take more than one start attempt when the unit is being used for the first time or after the L.P. tank has been refilled.

This unit is equipped with a manual reset automatic gas shut-off system actuated by high water temperature. Reset as follows:

1. Position switch in off position
2. Remove junction box cover at rear of unit.
3. Depress red button on limit switch.
4. Replace cover. **Be sure cover insulation is replaced.**

The fixed thermostat is also located in the rear junction box. Switch must be in off position before servicing.

### SUGGESTED MAINTENANCE

1. Keep the control compartment clean and free of combustible material and flammable liquids.
2. Keep the vent and combustion air grill clear of any obstructions.
3. Compare main (Fig. 5) and pilot burner (Fig. 4) flame with illustrations above periodically.

No valve is to be placed between the relief valve and the tank. If a discharge line is used, no reducing coupling or other restriction can be used. Do not plug the relief valve under any

circumstance.

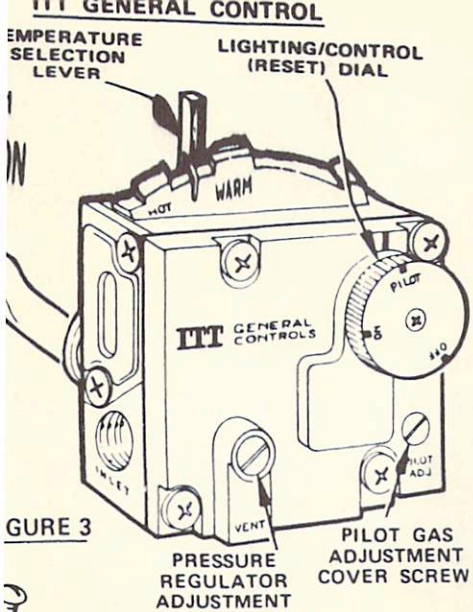
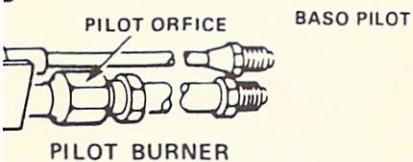
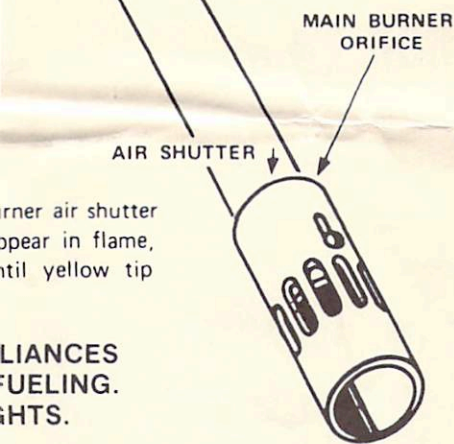


FIGURE 3



ROBERTSHAW PILOT AND SEPARATE THERMOCOUPLE NOT SHOWN.



**INSTALLATION INSTRUCTIONS**

DC, G610-3, G610-3B, G610-3E

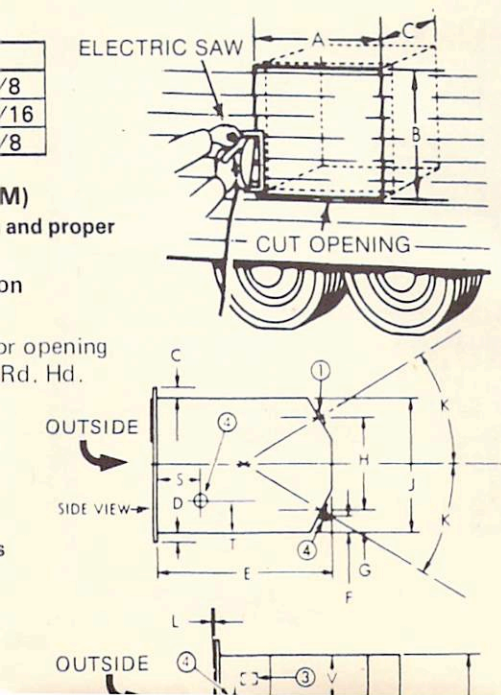
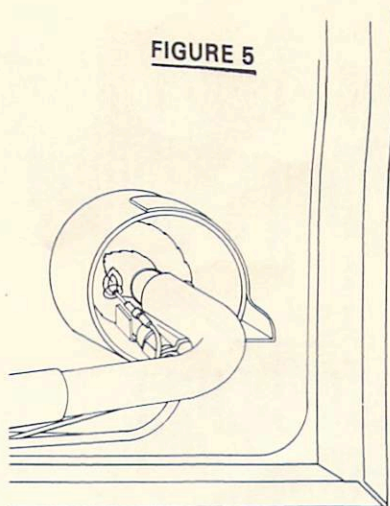
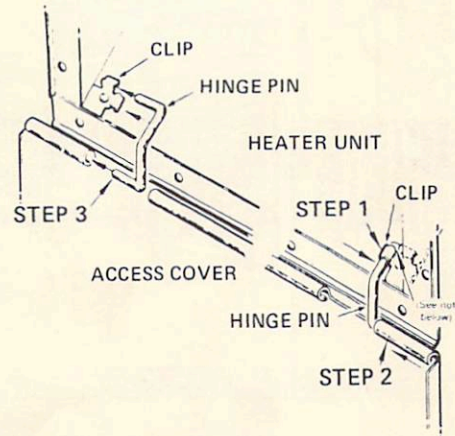


FIGURE 5



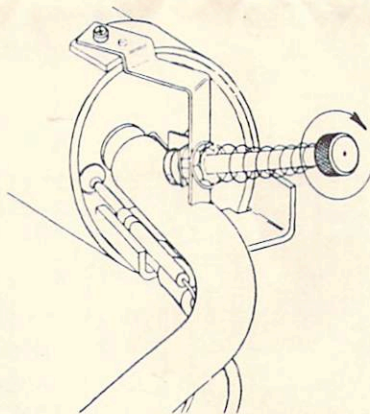
**MAIN BURNER FLAME**

**ACCESS COVER ASSEMBLY INSTRUCTIONS**



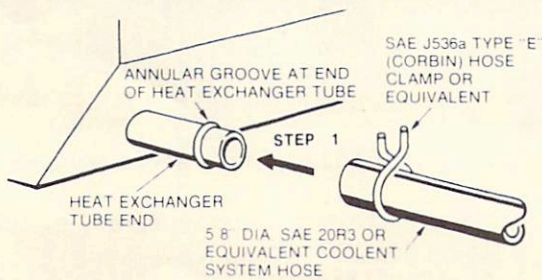
- STEP 1** Snap hinge pin into clip.
  - STEP 2** Slide cover onto hinge pin.
  - STEP 3** Snap other hinge pin into clip and cover at same time.
- Note: To remove hinge pin, support access cover and apply force to corner of hinge pin as shown above.

**SPARK IGNITER INSTRUCTIONS**

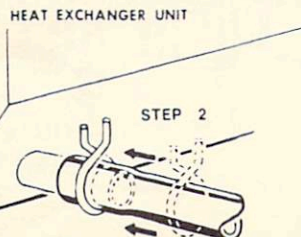


- 1. Follow lighting instructions for gas control.
- 2. Push igniter assembly forward to within 1/4" of pilot burner and hold. Twist quickly in a clockwise direction on igniter knob to produce spark. Repeat until pilot burner lights.
- 3. **WARNING:** AFTER LIGHTING PILOT BURNER, RELEASE IGNITER ASSEMBLY TO ALLOW COMPLETE RETRACTION UNTIL IT IS AGAINST SPARK IGNITER BRACKET AND OUT OF THE FLAME AREA. IF LEFT IN FLAME, WHEEL MAY BE DAMAGED.

**HEAT EXCHANGER HOSE INSTALLATION**



- STEP 1** Push hose end (with clamp attached) onto tube end as far as possible.



- STEP 2** Spread hose clamp and slide toward heat exchanger unit; past

# WATER HEATERS

**GAS** MODEL G6A-3, GC6A-3, GH6-3, G10C, G610-3, G610-3B, G610-3E

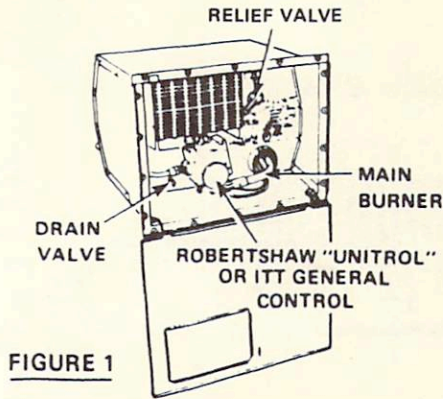


FIGURE 1

## OPERATING INSTRUCTIONS

### HOW TO LIGHT PILOT

1. Turn Lighting Control to "Off" position.
2. Wait at least five minutes to allow gas which may have accumulated in burner compartment to escape.
3. Your water heater may have either Robertshaw "Unitrol" or an ITT General Control.

#### Robertshaw "Unitrol"

- a. Turn Lighting Control dial to "Pilot" position.
- b. Depress and hold reset push button while lighting pilot burner.

#### ITT General Control:

- a. Turn Lighting Control dial to "Pilot" position and hold against stop while lighting pilot burner. Allow pilot to burn approximately one half minute before releasing dial.
- b. Turn knob to "ON" position. If pilot does not remain lit, repeat operation allowing longer period before releasing button or knob.

4. Position temperature knob or lever to desired comfort.

**NOTE: YOUR HEATER IS EQUIPPED WITH EITHER A ROBERTSHAW UNITROL (FIG. 2) OR AN ITT GENERAL CONTROL (FIG. 3).**

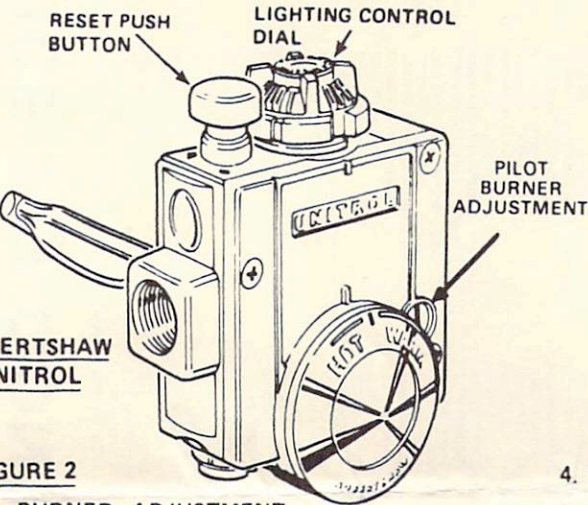


FIGURE 2

### PILOT BURNER ADJUSTMENT

#### Robertshaw Unitrol:

1. Remove cap.
2. Turn out (counterclockwise) to Decrease. Turn in (clockwise) to Increase.
3. Flame size same as shown for ITT control.
4. Replace cap.

# ADJUSTMENTS

### PILOT BURNER ADJUSTMENT

#### ITT General Control:

Pilot adjustment located directly below pilot on-off knob. (Figure 3)

1. Remove pilot gas adjustment cover screw.
2. Adjust pilot key directly inside to provide proper size flame. (1/2" high or until a slight yellow tip appears in pilot flame.)
3. Replace pilot gas adjustment cover screw.

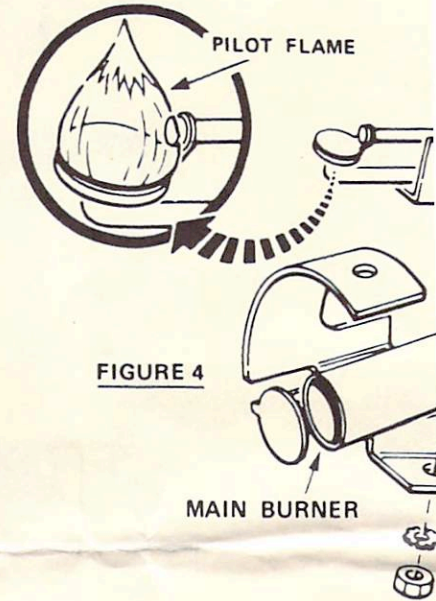


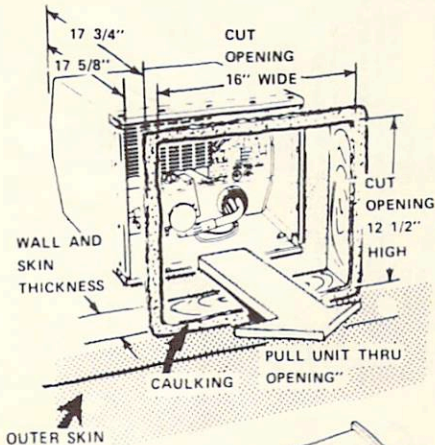
FIGURE 4

**BURNER ADJUSTMENT:** Slide ma to the right enough for yellow tip then slowly slide shutter to the le disappears and lock with set screw.

**SPECIAL CAUTION: ALL GAS MUST BE SHUT OFF WHEN THIS ALSO INCLUDES PILOT**

## INSTALLATION INSTRUCTIONS FOR SKIN MOUNT

Installation must conform with American National Standard for Recreational Vehicles, A117.2 1975, National Fuel Gas Code, ANSI Z223.1-1974, and must be grounded in accordance with National Electrical Code, ANSI C1-1975, if an external electrical source is utilized.



1. Locate water heater on floor of coach before side wall is erected.
2. Connect water and gas lines. **NOTE 1:** Allow flexibility in water and gas lines so the unit can be pulled forward through the wall one inch past the skin. **NOTE 2:** Gas line entrance opening must be sealed with material capable of withstanding 120°F. To use grommet supplied, slip over gas line, remove backing paper and press adhesive firmly to clean, dry, metal surface around opening where gas line enters control compartment.
3. Erect side walls and cut opening for heater (12 1/2 x 16). Frame with 2 x 2 SPF lumber (minimum).
4. Caulk thoroughly around opening.
5. Pull unit thru opening (1 inch past outside skin) and bend all flanges 90°. Exactly along scored lines.
6. Push unit against caulking and secure to coach with No. 8 x 3/4" Rd. Hd. screws. (Not furnished)

## WATER HEATER INST MODELS G6A3, GC6A, GH6-3

STEP 1. Cut body opening.

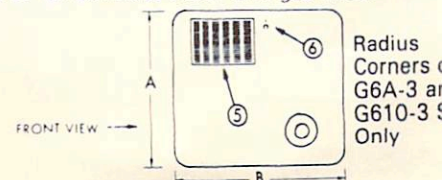
MODEL	A	B
G6A-3 Series	16	12-1/2
G10C	16-1/8	15-5/8
G610-3 Series	16	12-1/2

**FRAME WITH 2 x 2 SPF LUMBER (MINIMUM)**  
\*Adequate clearance must be provided for service operation of the appliance.

Minimum clearance from combustible construction (all models): Sides-0", Back-0", Top-0".

STEP 2. Heater must be installed through exterior wall. Secure heater to coach with 3/4" wood screws.

STEP 3. Connect water and gas lines.



1. OUTLET (1/2" NPT Female)
2. INLET (1/2" NPT Female)